



## Opening Instructions

Your Priorclave Autoclave is electrically locked. In order to open it and access the full operating instructions it will first be necessary to connect it to a suitable electrical supply as follows:



### Important Note

Before opening the door screw down the two anti-tip feet (fitted at the front of the autoclave) to floor level.

Once the autoclave has been finally positioned, these feet should be securely tightened onto the floor with a spanner. The lock nuts should then be tightened up to the bottom of the autoclave frame.

To connect your Priorclave to the power supply simply connect a suitable cable from your isolator to the isolator at the rear of the unit. Wiring for single and three phase supplies is as shown in the diagrams.

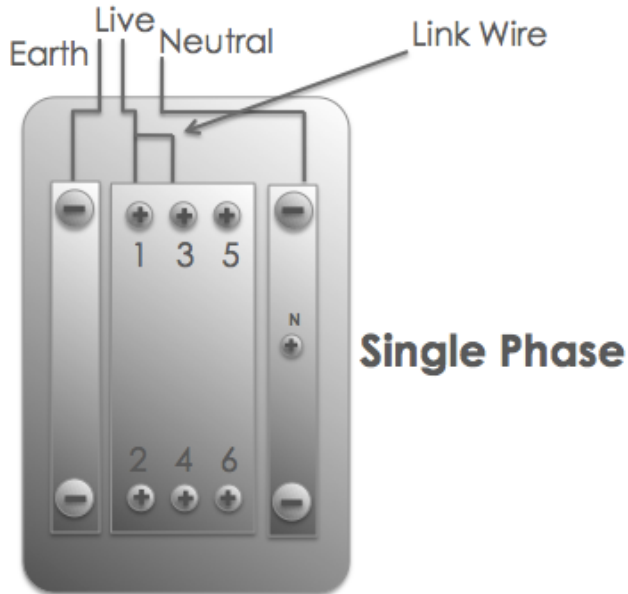
Your Priorclave can be wired in one of two electrical configurations depending on the power supply available. If in doubt as to which one applies check your power supply.

**NB.** Large capacity Priorclaves and Priorclaves fitted with the super fast (21kW) heating option are only suitable for three phase supplies. If in doubt please check the voltage plate at the back of the autoclave.

**• 7 kW SINGLE PHASE**

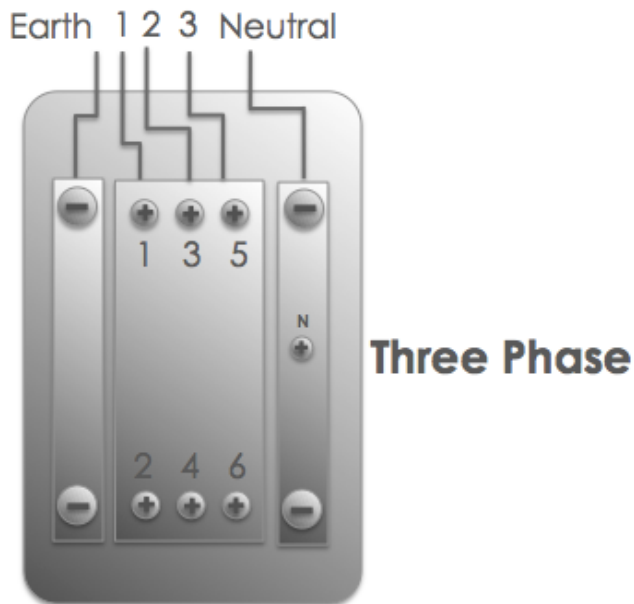
The power supply to the Autoclave should be run from a suitable 30 Amp isolator and connected to the isolator as below. Sufficient length of cable should be used to allow the autoclave to be pulled out and worked on from the back. The earth, live and neutral feeds should all be capable of carrying 30 Amps. . The neutral line must be nominally at earth potential and must **NOT** be fused. This equipment must be earthed.

NB. Single phase 7 kW machines may be converted at a later date, if required, to 10.5 kW 3 phase heating by rewiring as described below.



**• 3 PHASE - 10.5 kW HEATING AND 21 kW HEATING**

The power supply should be a 3 phase and neutral isolated supply, rated at 15 Amps per phase for 10.5 kW heating or 30 Amps per phase for 21 kW heating and connected to the isolator below. Sufficient length of cable should be used to allow the autoclave to be pulled out and worked on from the back. The cable used to the earth line and neutral feeds should be capable of carrying the per phase amperage of the supply. The neutral line must be nominally at earth potential and must **NOT** be fused. This equipment must be earthed.



After connecting the autoclave to a suitable power supply it can be opened as follows:

1) Check that the power is **ON** at the wall isolator.

2) As you are powering up the autoclave for the first time, the autoclave will be in a low water condition and the error code **F004** will show in the temperature display. You may ignore this at this stage as opening the autoclave and filling it with water will reset this error.

3) Switch on the power at the isolator at the back of the autoclave. All indicators will light momentarily and a sounder will bleep. This enables the indicators to be checked. The **low water** indicator should now be lit.

4) Press and release the **door** button, which will bleep, and wait for a short time (about 20 seconds) until the **door** indicator illuminates and the sounder bleeps again. On pressing the **door** button a second time, you will hear the locking bolt withdraw.

**Open the autoclave door as described below:**

- a. Move the locking handle upwards
- b. The handle will now spring out into its unlocking position
- c. Move the handle fully upwards to unlock the door. The handle is now in its safety lock position, allowing any residue of pressure inside the autoclave to escape harmlessly.
- d. Move the handle slightly downwards to release it from the safety position Push the handle in as far as it will go Move the handle fully upwards to its parked position
- e. Move the locking handle upwards The handle will now spring out into its unlocking position
- f. Move the handle fully upwards to unlock the door. The handle is now in its safety lock position, allowing any residue of pressure inside the autoclave to escape harmlessly.

**Door opening procedure**

